

Description

At **i9s** we programme the **safety functions in the safety PLC** in compliance with the requirements of the current Performance Level (PL) standards using safety building blocks certified by the PLC manufacturers.

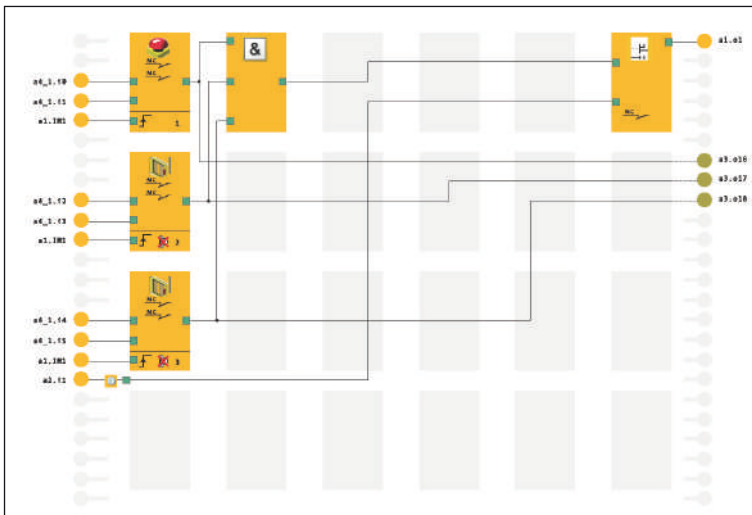
Specifications

The following standards and PLC safety building blocks help us to programme the safety functions:

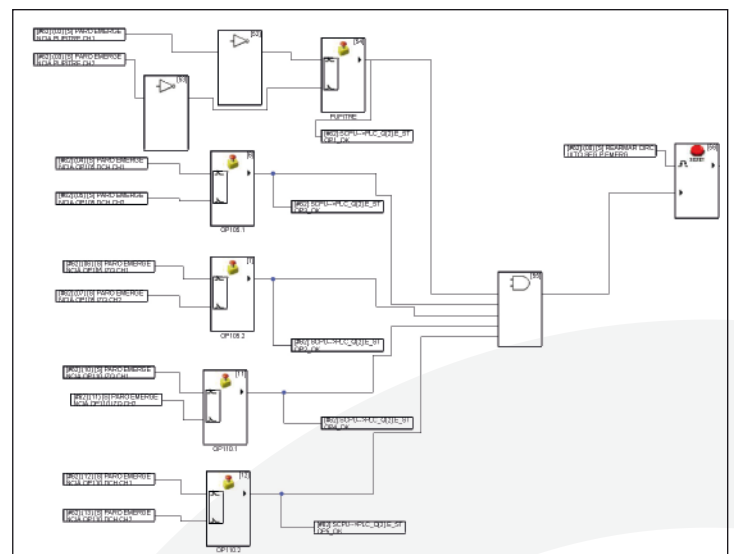
- **EN ISO 13849-1** *Safety of machinery. Safety-related parts of control systems. Part 1: General principles for design.*
- **Building blocks of the safety PLC certified by the PLC manufacturer**

Examples

Some examples of the safety programme are shown below:



Example of PNOZmulti safety PLC programming

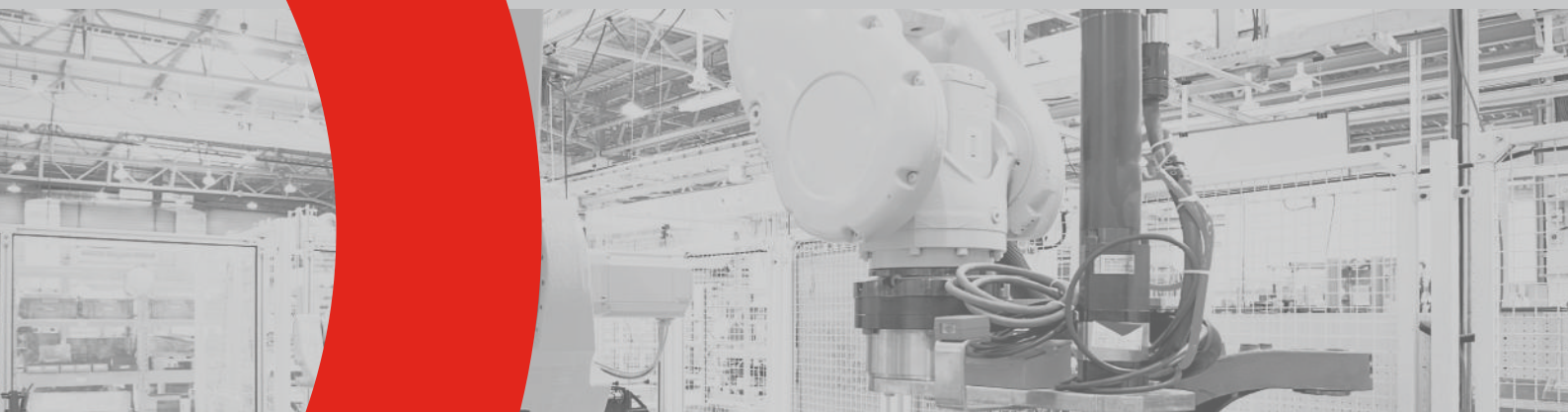


Example of Omron safety PLC programming

Documentation

The documentation can be delivered:

- In PDF digital format.
- In Spanish. Other languages on demand.



i9s, S.A.

Calle Béjar 91, 1º, 1ª.
(08014) | Barcelona | (Spain)

(+34) 93.113.26.05
i9s@i9s.es
www.i9s.es